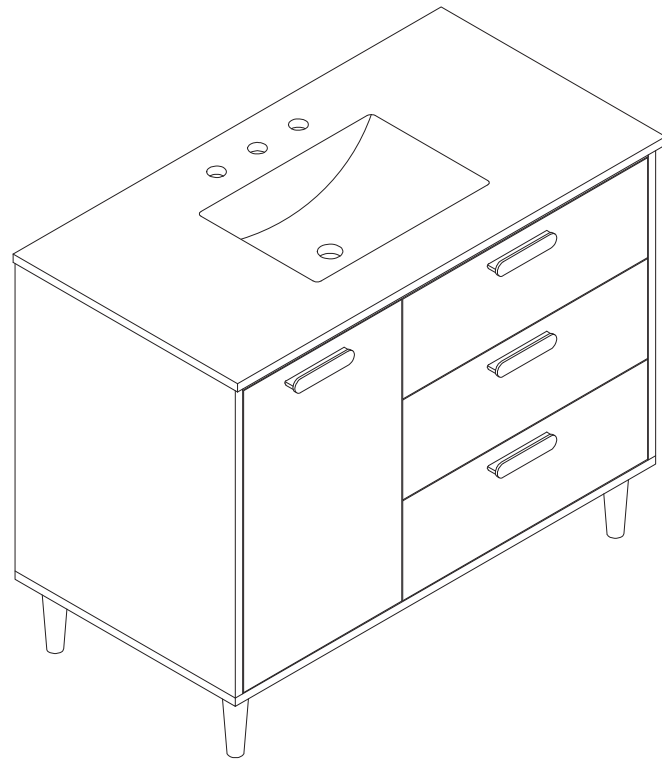
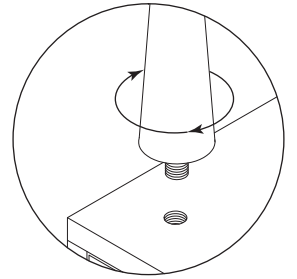
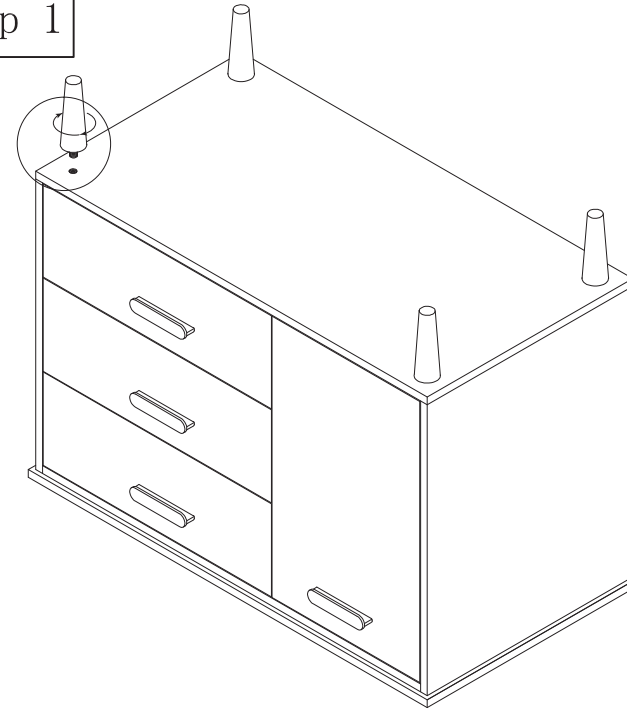


ASSEMBLY INSTRUCTIONS

VF47042MBL / VF47042MGN / VF47042MWT
VF47042MTK / VF47042MMP



Step 1



warning: Use two people to lift the vanity. Upon turning over the vanity upright, do not allow pressure to apply to one single leg or one single side.

Step 2

